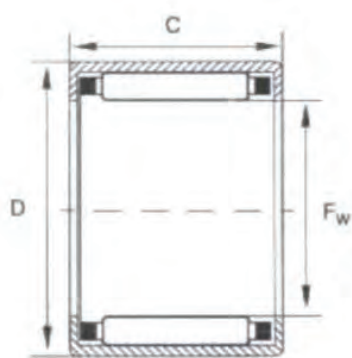
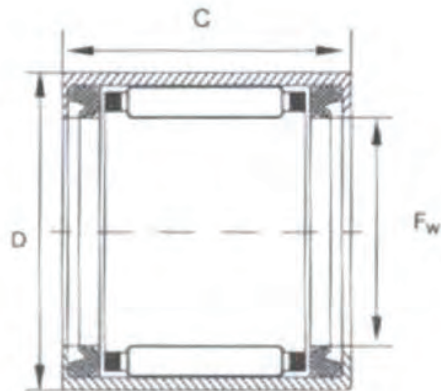


Needle Roller Bearings

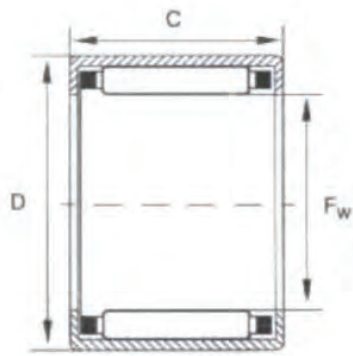


HK

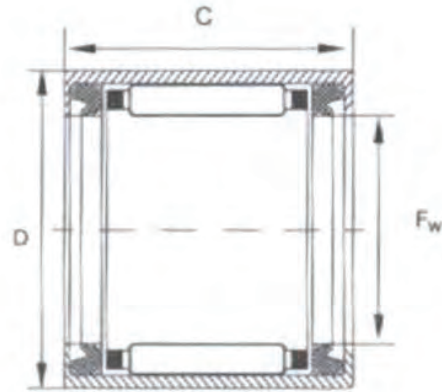


HK..2RS

Part No.	F _w	D	C	Dynamic load (kN)	Static load (kN)	N.W. (kg)
HK0509	5	9	9	2.0	2.4	0.002
HK0608	6	10	8	1.7	2.0	0.002
HK0609	6	10	9	2.6	2.9	0.003
HK0808	8	12	8	2.6	2.8	0.003
HK0810	8	12	10	3.8	4.0	0.003
HK0812	8	12	12	2.6	2.8	0.003
HK0812-2RS	8	12	10	2.6	2.8	0.003
HK0912	9	13	12	5.3	6.3	0.005
HK1010	10	14	10	4.4	5.1	0.004
HK1012	10	14	12	5.5	6.8	0.005
HK1014-2RS	10	14	12	4.4	5.1	0.005
HK1015	10	14	15	6.8	8.8	0.006
HK1212	12	18	12	6.5	7.3	0.009
HK1214	12	18	14	6.3	7.4	0.010
HK1216	12	18	16	6.3	7.4	0.010
HK1216-2RS	12	18	14	6.5	7.3	0.011
HK1416-2RS	14	20	14	7.1	8.5	0.013
HK1514	15	21	14	7.5	10.0	0.012
HK1514-2RS	15	21	14	7.5	10.0	0.012
HK1516-2RS	15	21	14	7.8	9.8	0.015
HK1520-2RS	15	21	18	10.5	14.4	0.018
HK1612	16	22	12	7.6	9.7	0.012
HK1616	16	22	16	10.9	15.3	0.016
HK1617	16	22	17	12.9	17.2	0.018
HK1620	16	22	20	11.0	14.6	0.018
HK1620-2RS	16	22	20	10.9	15.3	0.018
HK1622	16	23	22	13.1	19.4	0.022



HK



HK..2RS

Part No.	Fw	D	C	Dynamic load (kN)	Static load (kN)	N.W. (kg)
HK1714	17	23	14	6.8	10.2	0.014
HK1716	17	23	16	8.5	12.5	0.016
HK2016	20	26	16	12.7	20.1	0.019
HK2018-2RS	20	26	18	7.9	12.3	0.021
HK2022	20	26	22	8.4	13.6	0.026
HK2025	20	26	25	9.1	14.8	0.028
HK2220	22	28	20	16.5	29.0	0.026
HK2512	25	32	12	11.0	15.2	0.020
HK2516-2RS	25	32	16	11.0	15.2	0.027
HK2520-2RS/OH	25	32	20	19.9	33.0	0.033
HK2525	25	32	25	22.2	36.7	0.040
HK2526	25	32	26	25.5	45.0	0.044
HK2816	28	35	16	16.4	26.5	0.029
HK3016	30	37	16	17.2	29.0	0.031
HK3026	30	37	26	28.0	54.0	0.051
HK3038	30	37	38	37.5	79.0	0.076
HK3512	35	42	12	13.1	21.3	0.027
HK3520	35	42	20	23.8	46.0	0.044
HK4016	40	47	16	20.0	38.5	0.039
HK4020-2RS	40	47	18	20.0	38.5	0.048
HK4520	45	52	20	27.0	59.0	0.056
HK5025	50	58	25	38.5	84.0	0.090
HK5520	55	63	20	31.5	67.0	0.074
HK5528	55	63	28	41.8	104.0	0.080